

# DIRTERM & DIRTERM MAG



## SELF-CLEANING DIRT SEPARATORS

**Dirterm** represents the best solution to solve plant problems due to particle pollution formed due to corrosion and scale during the normal operation of a system.

Through its effective and constant action, Dirterm collects all the impurities present in the system (even very small which traditional mesh filters are not able to eliminate), preventing them from circulating within it, thus avoiding wear and damage of all the components making up the system.

The impurities stopped by Dirterm are accumulated on its bottom as long as the opening of the specific discharge valve allows the expulsion thereof.

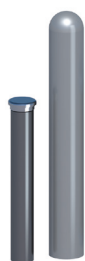
In addition, **Dirterm Mag**, is equipped with a powerful magnet to capture rust particles that are formed due to corrosion and scale during the normal operation of a system.



**DIRTERM**  
dirt separator

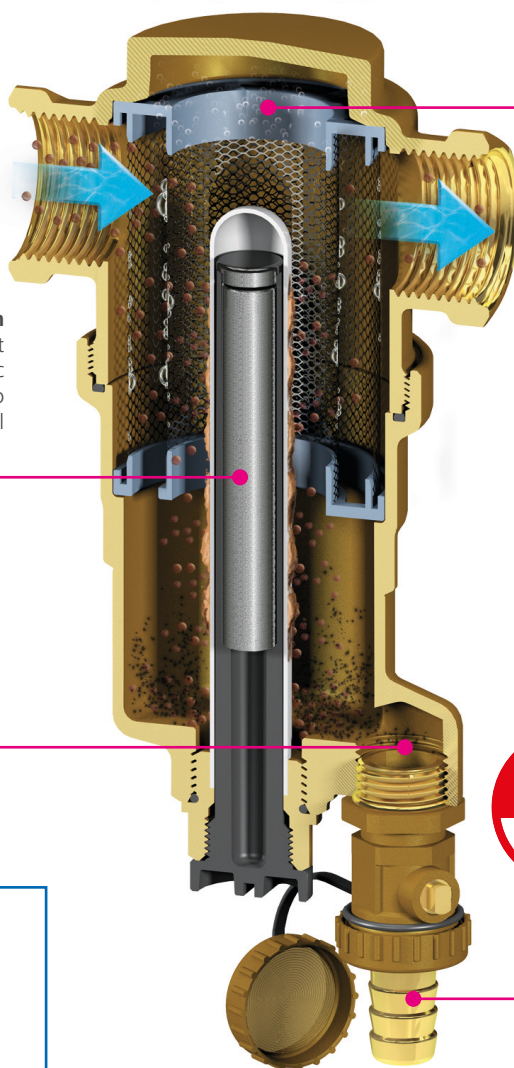


**DIRTERM MAG**  
magnetic dirt separator



### Magnet (11.000 gauss)

(Only available in the **Dirterm Mag** device) Powerful magnet to capture particles magnetic that are formed due to corrosion during the normal operation of a system.



### Innovative Cartridge

made up of stainless steel sheets with different filtering grades. Stainless steel is an exceptional guarantee of long service life, maximum reliability in variable pressure, temperature, greater resistance to corrosion and wear conditions, generated by impurities (as it is increasingly less possible to predict what they are comprised of).



The cartridge contributes to minimising the possibility of impurities running through and offers little resistance to the flow passage, characterised by very low head loss.

The special cartridge does not obstruct the descent of the dirt into the accumulation zone in any way, therefore there is no danger of the particles being recovered by the flow running towards the outlet of the dirt separator.

### Accumulation area

Large and very far from the flow passage, resulting in less frequent maintenance work.



- Eliminates all impurities;
- Self-cleaning;
- Ensures system efficiency;
- Magnetic (only Dirterm Mag);
- Bi-directional

### Purge valve

Adjustable, with hose connector and safety cap.

Kontakta din ansvariga säljare, Björn Lennartsson:  
+46 573 73 57 31